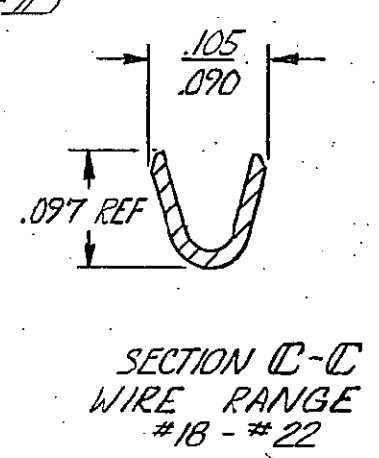
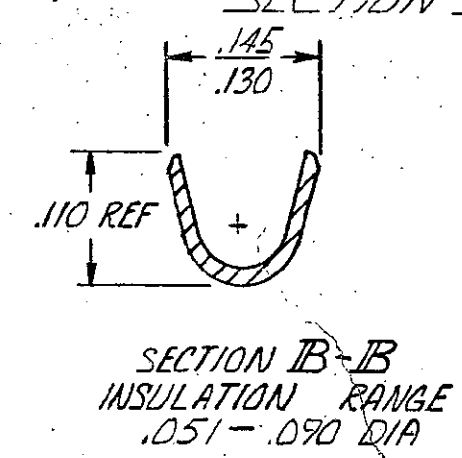
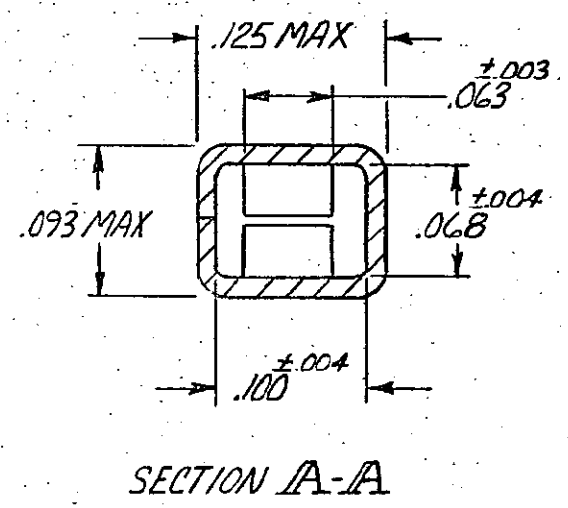
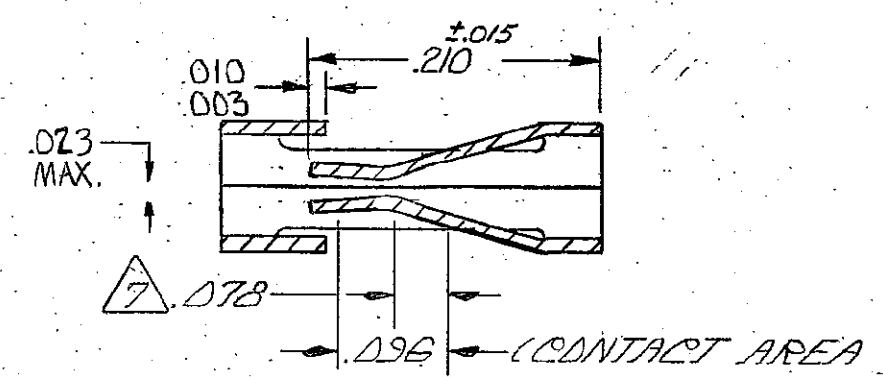
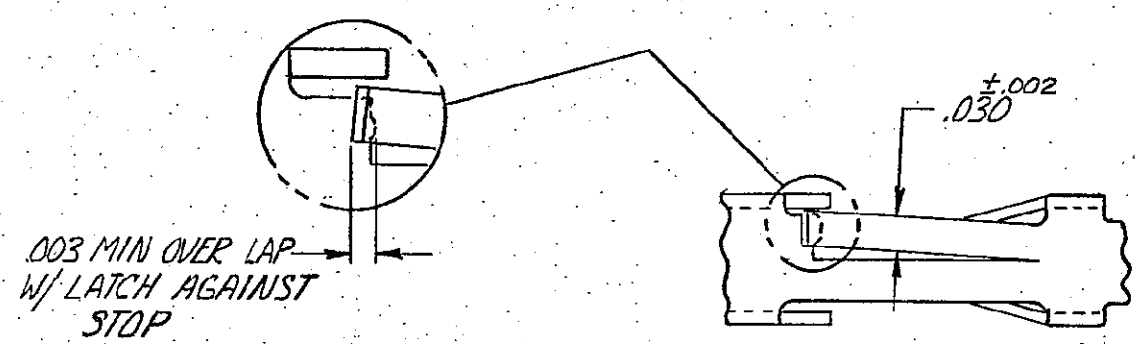
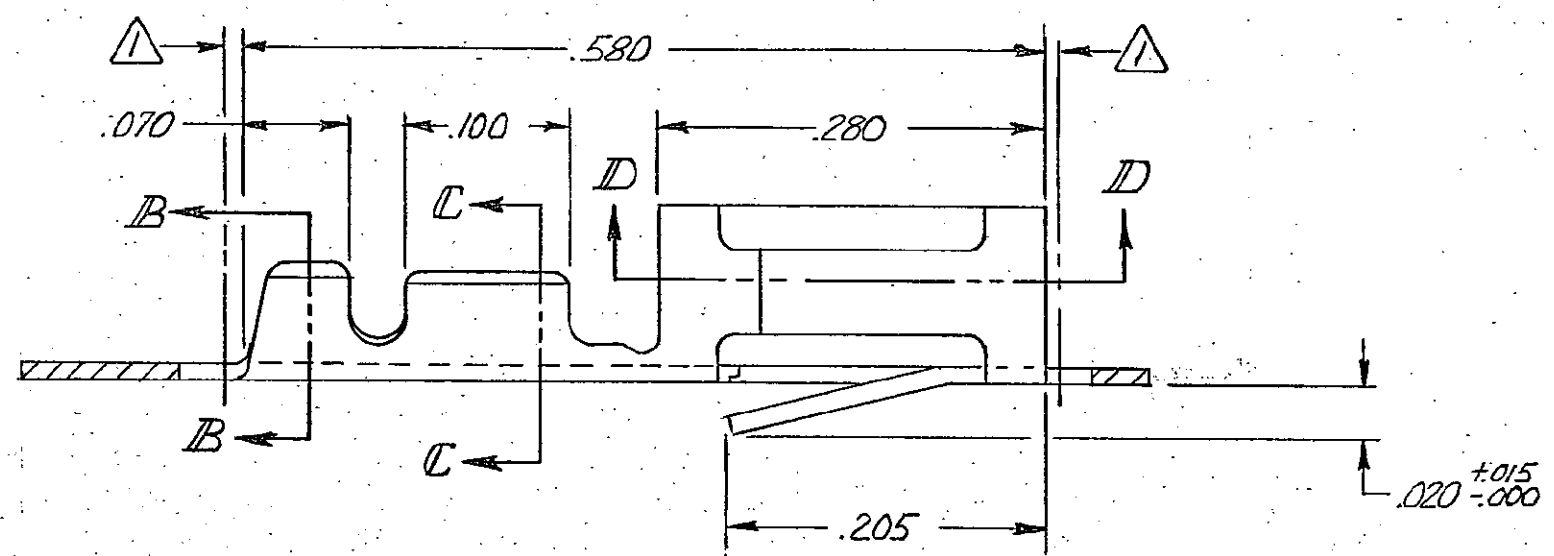
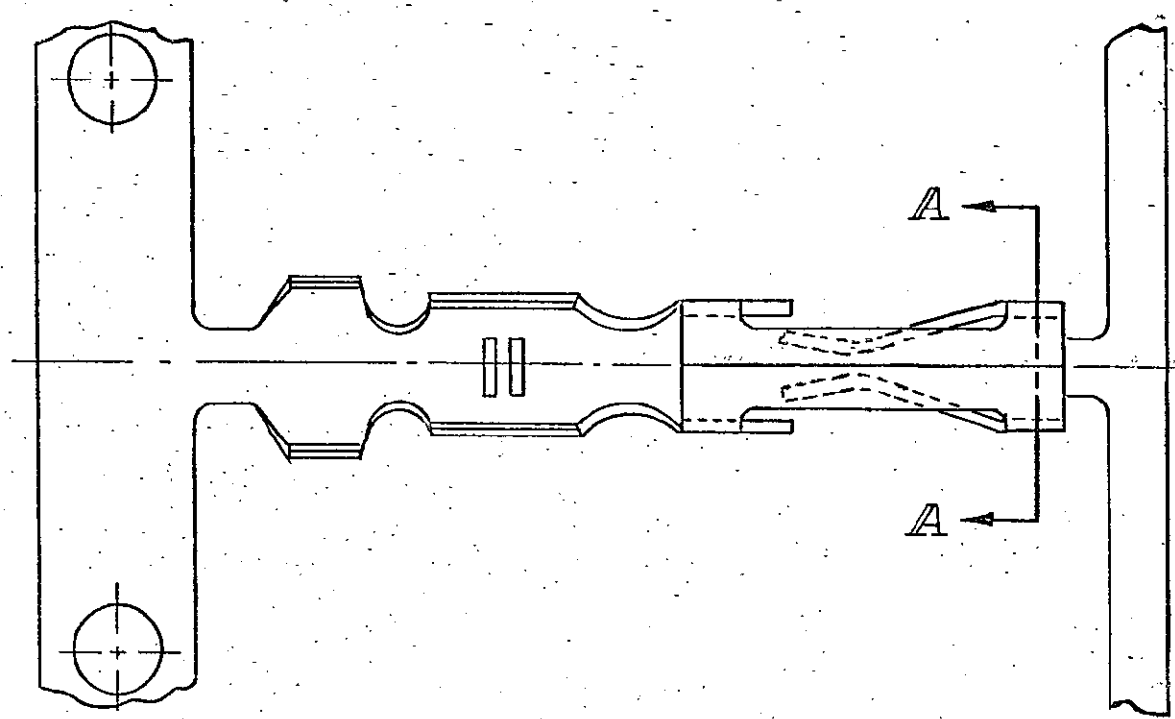


© COPYRIGHT 1978, 82 BY AMP INCORPORATED, HARRISBURG, PA. ALL INTERNATIONAL RIGHTS RESERVED. AMP INCORPORATED PRODUCTS COVERED BY U. S. AND FOREIGN PATENTS AND/OR PATENTS PENDING.

REVISIONS					
P	F	ZONE	LTR	DESCRIPTION	DATE APPROVED
				RELEASE	
			A	REVISED PER ECN 2481	DF 5-29-78
			A1	REV PER ECN 4552	for 11-10-82 db
			B2	REV ECN 202	for 6-25-84
			B	REV ECN 278	for 6-19-84
			B1	REV ECN 1863	for 8-10-88 SB
			C	RE-RELEASE 102104-3 REL# 2511	co 7-7-88
			D	RE-RELEASE 102104-4 REL# 2583	HM 8-1-88
			E	REV LOC & DIST AD-4171	11-29-89 BF
			F	REV ECN AD-4835	K14 9-25-90 MPC
			G	REV PER 0010-0700-93	7-14-93 SAS
			H	REV PER 0010-1595-93	7-10-94 SAS
			J	REV PER 0010-1125-94	12-14-94 JA
			K	REV PER 0030-0062-00	11-26-95 MZ



- ① .010 MAX CUT-OFF TAB FOR LOOSE PIECE.
- ② GOLD FLASH OVER .000050 NICKEL ENTIRE CONTACT, .000015 GOLD ON CONTACT AREA
- ③ GOLD FLASH OVER .000050 NICKEL ENTIRE CONTACT .000030 GOLD ON CONTACT AREA.
- ④ .000016 MIN TIN.
- ⑤ LUBRICATED
- ⑥ .000100-.000200 BRIGHT TIN OVER .000030 NICKEL.
- ⑦ POINT OF MEASUREMENT FOR PLATING THICKNESS.
- ⑧ .000015 GOLD ON CONTACT AREA, .000050-.000100 BRIGHT TIN-LEAD ON TERMINATION AREA, ALL OVER .000050 NICKEL ENTIRE TERMINAL.
- ⑨ .000030 GOLD ON CONTACT AREA, .000050-.000100 BRIGHT TIN-LEAD ON TERMINATION AREA, ALL OVER .000050 NICKEL ENTIRE TERMINAL.
- ⑩ OBSOLETE PART NUMBER.

⑨	⑩	102104-6	102100-9/10
⑧	⑩	102104-5	102100-8/10
⑥	⑤	⑩	102104-4
④	⑤	102104-3	102100-5
③		102104-2	102100-2
	②	102104-1	102100-1
FINISH		LOOSE PIECE P/N	PART NO

UNLESS OTHERWISE SPECIFIED DIMENSIONS ARE IN INCHES. TOLERANCES ON: DECIMALS ±.005 ANGLES ±	CONTRACT NO	AMP INCORPORATED Harrisburg, Pa.	
	DR R. Bedwin 4/12/78		NAME CONTACT, MOD I, RECEPTACLE, CRIMP SNAP-IN, HIGH PRESSURE, #18 - # 22AWG, SIDE FEED
	CHK B. White 4-27-78		SIZE C
	MATERIAL PHOS. BRONZE		CODE IDENT NO 00779
FINISH SEE TABLE	DSGN APPD	DRAWING NO 102100	
	OTHER APPD	SHEET	